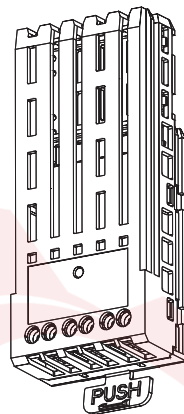




EAV7640503

Extension module of Output relays

VW3A3204



⚠ ⚠ DANGER

HAZARD OF ELECTRIC SHOCK, EXPLOSION, OR ARC FLASH

- Only appropriately trained persons who are familiar with and fully understand the contents of the present manual and all other pertinent product documentation and who have received all necessary training to recognize and avoid hazards involved are authorized to work on and with this equipment.
- Installation, adjustment, repair, and maintenance must be performed by qualified personnel.
- Verify compliance with all local and national electrical code requirements as well as all other applicable regulations with respect to grounding of all equipment.
- Before performing work and/or applying voltage on the equipment, follow the instructions given in the appropriate installation manual.

Failure to follow these instructions will result in death or serious injury.

Electrical equipment should be installed, operated, serviced, and maintained only by qualified personnel. No responsibility is assumed by Schneider Electric for any consequences arising out of the use of this product. © 2024 Schneider Electric. All Rights Reserved.

**UK
CA**

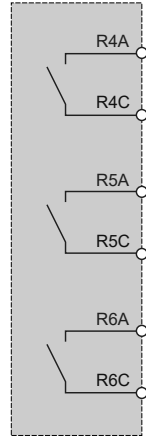
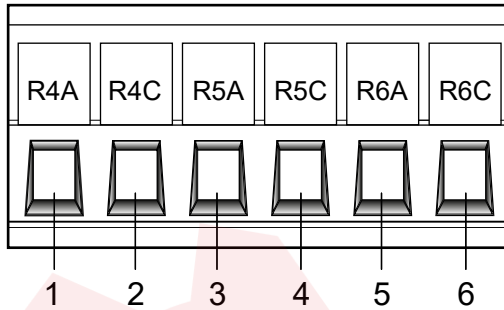
MANUFACTURER
Schneider Electric Industries SAS
35 rue Joseph Monier
Rueil Malmaison 92500 France

UK REPRESENTATIVE
Schneider Electric Limited
Stafford Park 5
Telford, TF3 3BL United Kingdom

EAC

Опция для продуктов Altivar и Altistart.
Пожалуйста, обратитесь к сообщению о преобразователе частоты EAC / программном сартере в приложении к началу работы, размещенном на веб-сайте производителя. Авторизованный поставщик в Республике Казахстан:
ТОО «Шнейдер Электрик»
Адрес: 050010, РК, г. Алматы, пр. Достық, 38, бизнес-центр «Кен Дала», 5 этаж, левое крыло.
Тел.: +7 (727) 339 23 57
Номер службы поддержки клиентов:
Тел.: +7 (727) 339 24 52

Altivar және Altistart өніміне арналған опция. Өндірушінің веб-сайтында орналастырылған «Жұмысқа кірісу» қосымшасындағы EAC жиілік инвертер / бірқалыпты іске қосу құрылғысы хабарламасына сілтеме жасауыңызды сұраймыз.
Қазақстан Республикасындағы уәкілетті жеткізуші:
ЖШС «Шнейдер Электрик»
Мекен-жайы: 050010, ҚР, Алматы қаласы, Достық даңғылы, 38, «Кең дала» бизнес орталығы, 5-қабат, сол қанат.
тел.: +7 (727) 339 23 57
Клиенттерге қызмет көрсету нөмірі:
тел.: +7 (727) 339 24 52



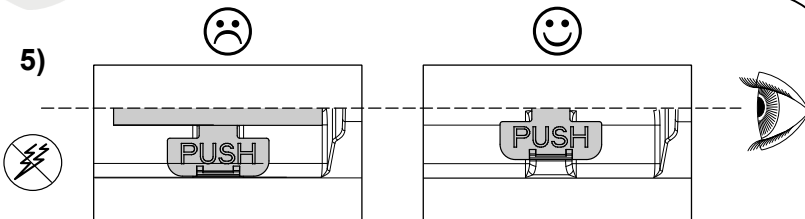
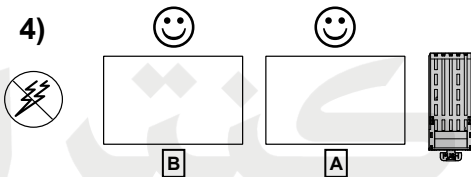
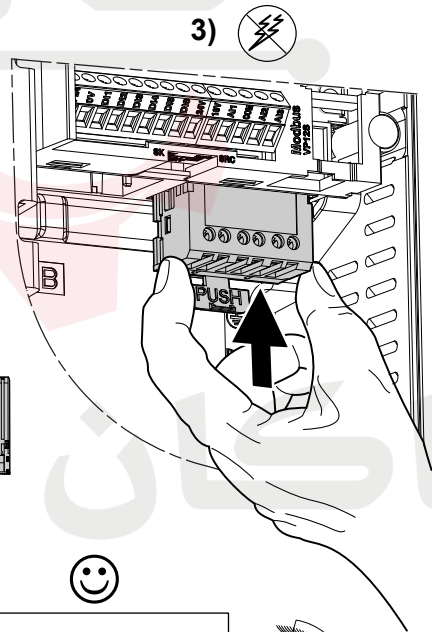
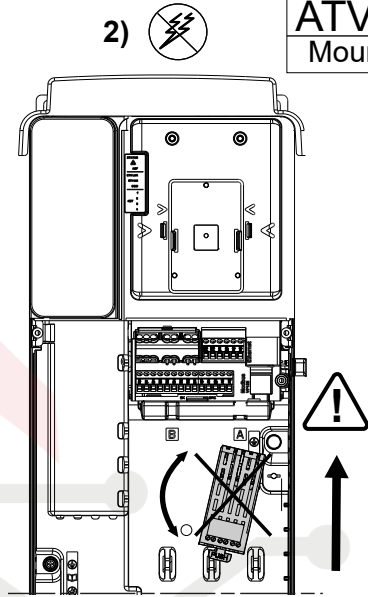
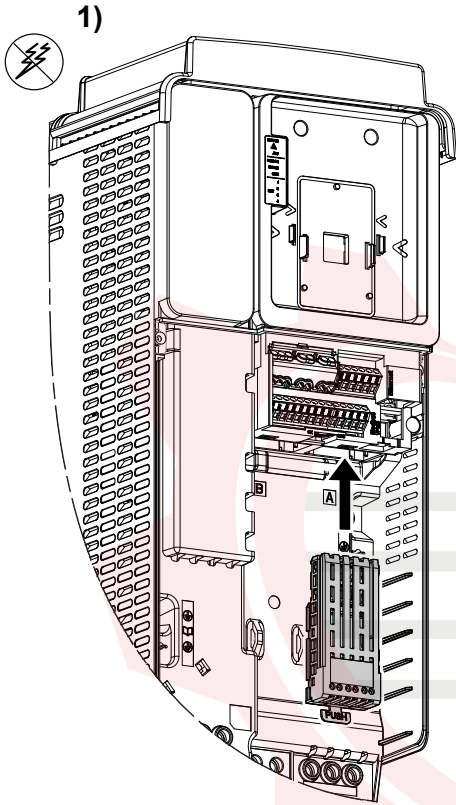
Maximum wire size: 1.5 mm² (AWG 16)

Maximum tightening torque: 0.5 N·m (4.4 lbf.in)

 Stripping length: 10 mm (0.39 in.)

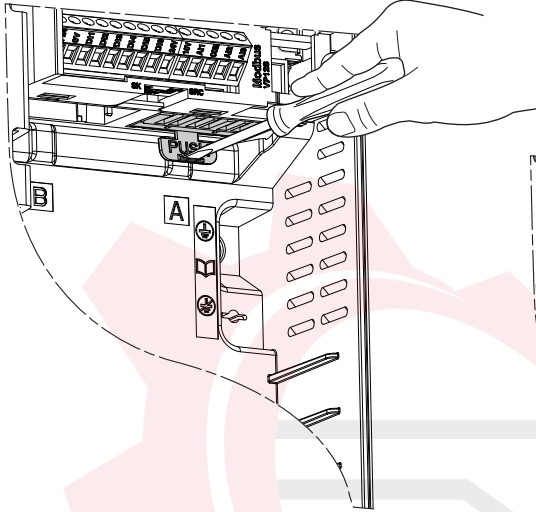
Note: Only one VW3A3204 can be installed for one drive

PIN	SIGNAL	FUNCTION	ELECTRIC CHARACTERISTICS
1	R4A	NO contact of relay R4	Programmable Output Relay R4, R5 and R6: <ul style="list-style-type: none"> • Minimum switching current: 5 mA for 24 Vdc • Maximum switching current on resistive load: 5 A for 250 Vac (OVC II) and 30 Vdc. • Maximum switching current on inductive load: 2 A for 250 Vac (OVC II) and 30 Vdc Inductive load must be equipped with a voltage surge limitation device according to ac or dc operation with total energy dissipation greater than the inductive energy stored in the load. See drive installation manual on www.se.com. • Refresh time: same as relay output of drive it is installed on. See drive installation manual on www.se.com. • Service life: <ul style="list-style-type: none"> 70,000 operation at 5 A on resistive load 100,000 operation at 4 A on resistive load 300,000 operation at 2 A on resistive load 700,000 operation at 0.5 A on resistive load
2	R4C		
3	R5A	NO contact of relay R5	
4	R5C		
5	R6A	NO contact of relay R6	
6	R6C		

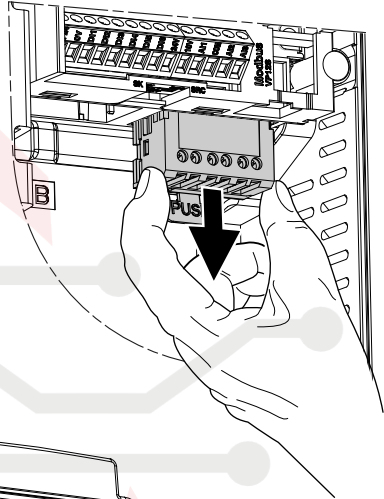


ATV900
ATV340
Removing

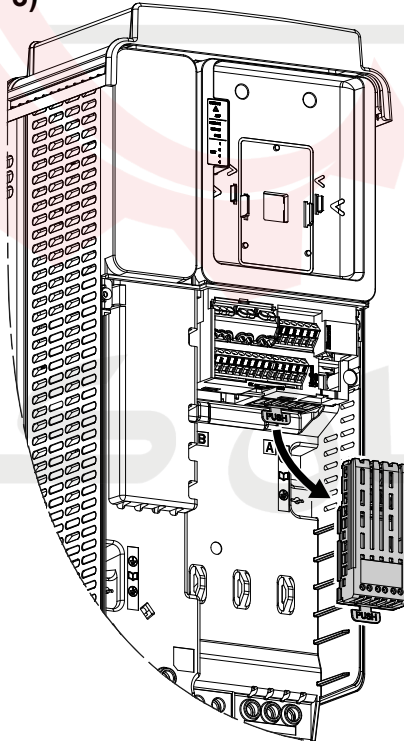
1) 



2) 



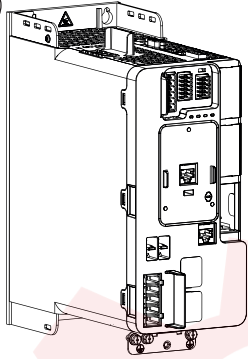
3) 



ATV340

Mounting

1



GP-SF



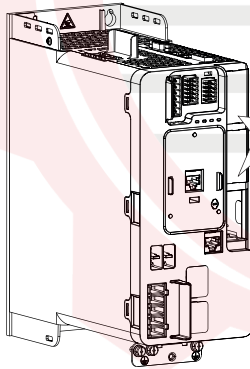
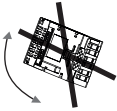
GP-ENC (E)



GP-FB ←



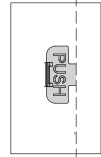
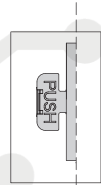
2



CLIC

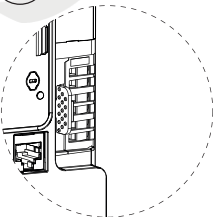


3

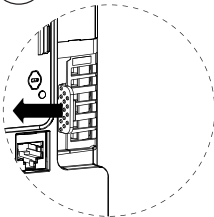


Removing

1



2



3

