

Product data sheet

Specifications



soft starter for asynchronous motor,
Altistart 01, ATS01, 25A, 110 to
480V, 2.2 to 11kW

ATS01N125FT

Product availability: Stock - Normally stocked in distribution facility

Main

| | |
|------------------------------|--|
| Range of Product | Altistart 01 |
| Product destination | Asynchronous motors |
| Product or Component Type | Soft starter |
| Product Specific Application | Simple machine |
| Device short name | ATS01 |
| Phase | 1 phase |
| [Us] rated supply voltage | 110...480 V - 10...10 % |
| Motor power kW | 11 kW, 3 phase 400 V 3 kW, 3 phase 230 V 4 kW, 3 phase 230 V 9 kW, 3 phase 400 V 7.5 kW, 3 phase 400 V 5.5 kW, 3 phase 230 V 2.2 kW, 1 phase 230 V |
| Maximum Horse Power Rating | 11 hp, 3 phase 460 V 2 hp, 3 phase 210 V 3 hp, 3 phase 210 V 5 hp, 3 phase 230 V 9 hp, 3 phase 460 V 7.5 hp, 3 phase 230 V |
| IcL starter rating | 25 A |
| Utilisation category | AC-53B EN/IEC 60947-4-2 |
| Current consumption | 125 A at nominal load |
| Type of start | Start with voltage ramp |
| Power dissipation in W | 1 W at full load and at end of starting 126 W in transient state |

Complementary

| | |
|------------------------------|---|
| Assembly style | With heat sink |
| Function Available | Integrated bypass |
| Supply voltage limits | 99...528 V |
| Supply frequency | 50...60 Hz - 5...5 % |
| Network Frequency | 47.5...63 Hz |
| Output voltage | <= power supply voltage |
| [Uc] Control circuit voltage | 110 V AC +/- 10 % 35 mA 24 V AC/DC +/- 10 % 30 mA 240 V AC +/- 10 % 80 mA |

Price is "List Price" and may be subject to a trade discount – check with your local distributor or retailer for actual price.

| | |
|--------------------------------|--|
| Starting time | 1 s / 100 5 s / 20 Adjustable from 1 to 5 s |
| Starting torque | 30...80 % of starting torque of motor connected directly on the line supply |
| Discrete output current | 2 A DC-13 3 A AC-15 |
| tightening torque | 4.4 lbf.in (0.5 N.m) 16.8...22.1 lbf.in (1.9...2.5 N.m) |
| Electrical connection | 4 mm screw clamp terminal - rigid 1 1...10 mm ² AWG 8 power circuit Screw connector - rigid without cable end 1 0.5...2.5 mm ² AWG 14 control circuit 4 mm screw clamp terminal - rigid 2 1...6 mm ² AWG 10 power circuit Screw connector - rigid 2 0.5...1 mm ² AWG 17 control circuit Screw connector - flexible with cable end 1 0.5...1.5 mm ² AWG 16 control circuit 4 mm screw clamp terminal - flexible without cable end 1 1.5...10 mm ² AWG 8 power circuit Screw connector - flexible without cable end 1 0.5...2.5 mm ² AWG 14 control circuit 4 mm screw clamp terminal - flexible with cable end 2 1...6 mm ² AWG 10 power circuit 4 mm screw clamp terminal - flexible without cable end 2 1.5...6 mm ² AWG 10 power circuit Screw connector - flexible without cable end 2 0.5...1.5 mm ² AWG 16 control circuit |
| Marking | CE |
| Operating position | Vertical +/- 10 degree |
| Height | 4.9 in (124 mm) |
| Width | 1.8 in (45 mm) |
| Depth | 5.2 in (131 mm) |
| Product Weight | 0.77 lb(US) (0.35 kg) |
| Compatibility code | ATS01N1 |
| Power range | 2.2...3 kW 200...240 V 3 phase 2.2...3 kW 200...240 V 1 phase 4...6 kW 200...240 V 3 phase 7...11 kW 200...240 V 3 phase 7...11 kW 380...440 V 3 phase |
| Motor starter type | Soft starter |

Environment

| | |
|--------------------------------------|--|
| Electromagnetic compatibility | Conducted and radiated emissions level B conforming to CISPR 11 Conducted and radiated emissions level B conforming to IEC 60947-4-2 Damped oscillating waves level 3 conforming to IEC 61000-4-12 Electrostatic discharge level 3 conforming to IEC 61000-4-2 EMC immunity level 3 conforming to EN 50082-1 EMC immunity level B conforming to EN 50082-2 Harmonics level 3 conforming to IEC 1000-3-2 Harmonics level 3 conforming to IEC 1000-3-4 Immunity to conducted interference caused by radio-electrical fields level 3 conforming to IEC 61000-4-6 Immunity to electrical transients level 4 conforming to IEC 61000-4-4 Immunity to radiated radio-electrical interference level 3 conforming to IEC 61000-4-3 Micro-cuts and voltage fluctuation conforming to IEC 61000-4-11 Voltage/current impulse level 3 conforming to IEC 61000-4-5 |
| Standards | EN/IEC 60947-4-2 |
| Product Certifications | C-tick CCC GOST CSA UL |
| IP Degree of Protection | IP20 |
| Pollution degree | 2 EN/IEC 60947-4-2 |
| Vibration resistance | 1 gn (f= 13...150 Hz) conforming to EN/IEC 60068-2-6 1.5 mm peak to peak (f= 3...13 Hz) conforming to EN/IEC 60068-2-6 |

| | |
|--|--|
| Shock resistance | 15 gn 11 ms EN/IEC 60068-2-27 |
| Relative humidity | 5...95 % without condensation or dripping water EN/IEC 60068-2-3 |
| Ambient air temperature for operation | 14...104 °F (-10...40 °C) (without derating) 104...122 °F (40...50 °C) (with current derating of 2 % per °C) |
| Ambient air temperature for storage | -13...158 °F (-25...70 °C) EN/IEC 60947-4-2 |
| Operating altitude | <= 3280.84 ft (1000 m) without derating > 3280.84 ft (1000 m) with current derating of 2.2 % per additional 100 m |

Ordering and shipping details

| | |
|--------------------------|---------------|
| Category | US101122392 |
| Discount Schedule | 0111 |
| GTIN | 3389119200455 |
| Returnability | Yes |
| Country of origin | DE |

Packing Units

| | |
|-------------------------------------|--------------------------|
| Unit Type of Package 1 | PCE |
| Nbr. of units in pkg. | 1 |
| Package 1 Height | 2.047 in (5.200 cm) |
| Package 1 Width | 6.102 in (15.500 cm) |
| Package 1 Length | 6.890 in (17.500 cm) |
| Package weight(Lbs) | 14.356 oz (407.000 g) |
| Unit Type of Package 2 | S03 |
| Number of Units in Package 2 | 14 |
| Package 2 Height | 11.811 in (30.000 cm) |
| Package 2 Width | 11.811 in (30.000 cm) |
| Package 2 Length | 15.748 in (40.000 cm) |
| Package 2 Weight | 13.552 lb(US) (6.147 kg) |

Contractual warranty

| | |
|-----------------------------|----|
| Warranty (in months) | 18 |
|-----------------------------|----|

ماكان كنترول

Schneider Electric aims to achieve Net Zero status by 2050 through supply chain partnerships, lower impact materials, and circularity via our ongoing “Use Better, Use Longer, Use Again” campaign to extend product lifetimes and recyclability.

[Environmental Data explained >](#)

[How we assess product sustainability >](#)


Use Better

| Materials and Substances | |
|--|--|
| Packaging made with recycled cardboard | Yes |
| Packaging without single use plastic | Yes |
| EU RoHS Directive | Compliant |
| REACH Regulation | Free of Substances of Very High Concern above the threshold |
| California proposition 65 | WARNING: This product can expose you to chemicals including: Lead and lead compounds, which is known to the State of California to cause cancer and birth defects or other reproductive harm. For more information go to www.P65Warnings.ca.gov |

Use Longer

| Lifetime extension | |
|--------------------|----|
| Repair | No |

Use Again

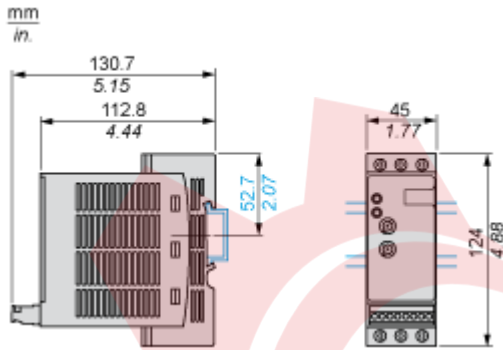
| Repack and remanufacture | |
|--------------------------|--|
| Take-back | No |
| WEEE Label |  The product must be disposed on European Union markets following specific waste collection and never end up in rubbish bins. |

ماكان كنترول

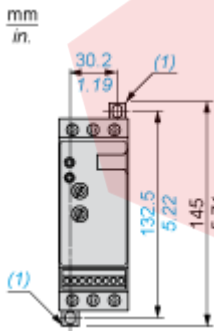
Dimensions Drawings

Dimensions

Mounting on Symetrical (35 mm) Rail



Screw Fixing

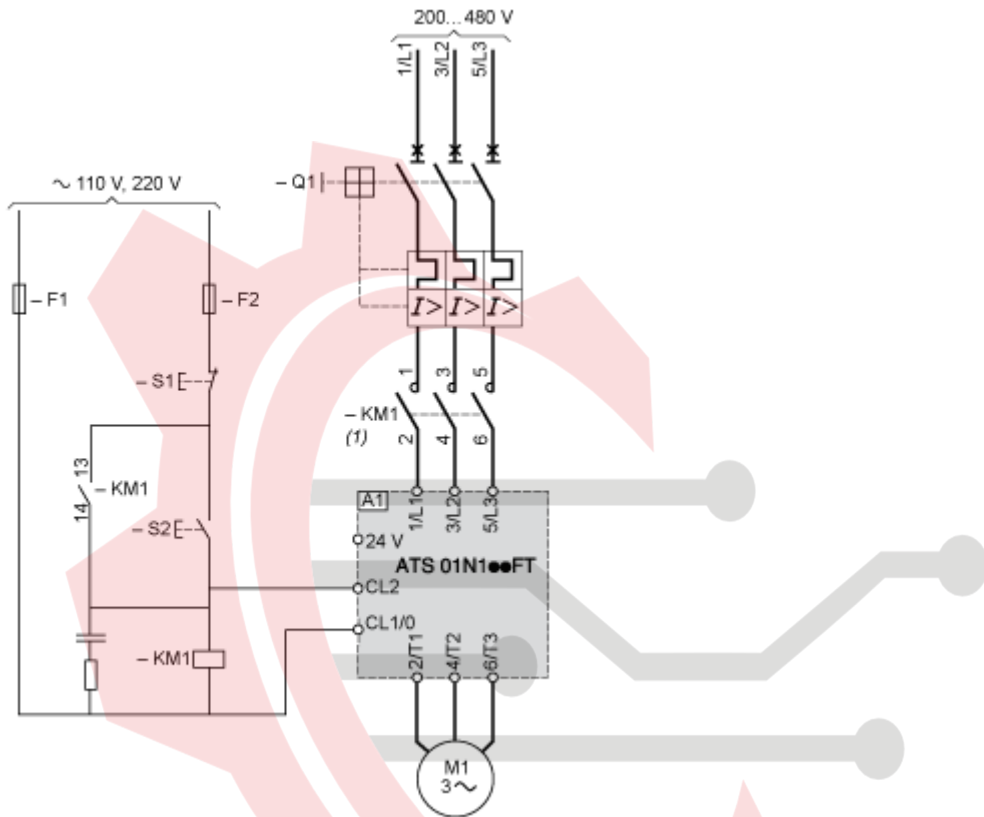


(1) Retractable fixings

ماكان كنترول

Connections and Schema

Example of 3-phase Power Supply Connection



(1) A line contactor must be used in the sequence.

A1 : Soft starter

Q1 : Motor circuit-breaker

KM1 : Contactors

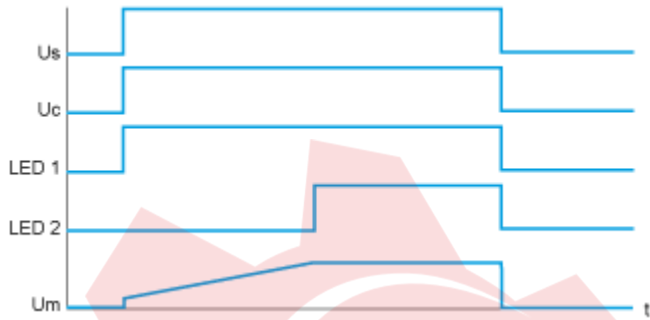
F1, F2 : Control protection fuses

S1, S2 : Pushbuttons

ماكان كنترول

Technical Description

Function Diagram



U_s : Power supply voltage

U_c : Control supply voltage

LED 1 : Green LED

LED 2 : Yellow LED

U_m : Motor voltage

ماکان کنترول